



Manufacturing Intelligent Compressed Air Products Since 1983

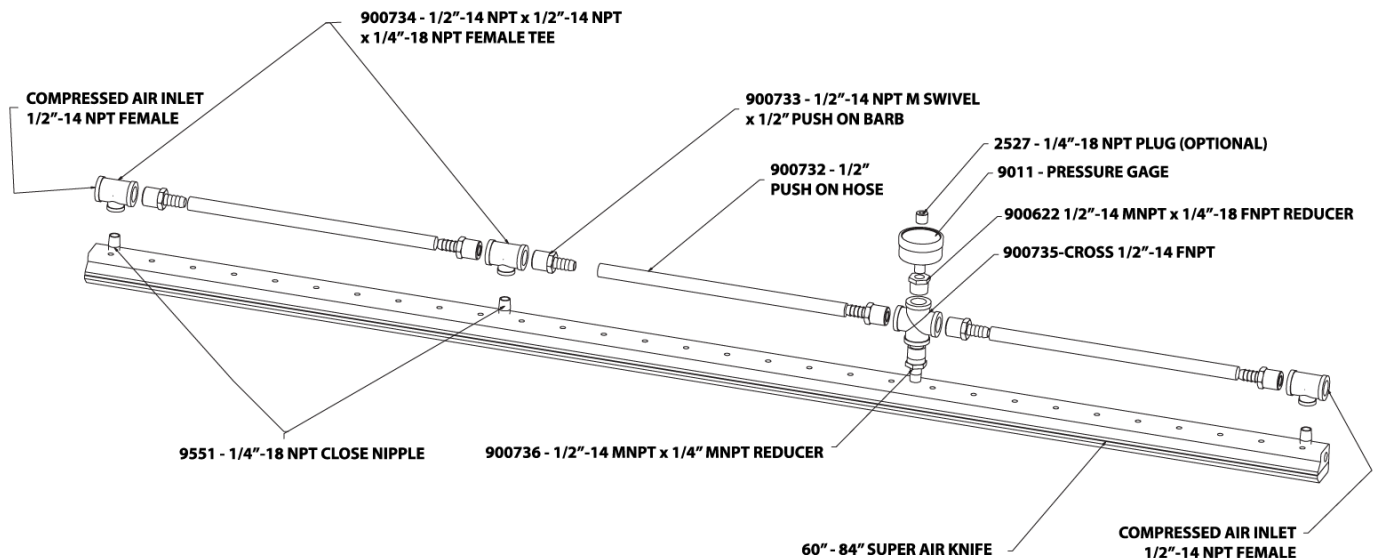
11510 Goldcoast Drive, Cincinnati, OH, USA 45249-1621

(513) 671-3322 FAX (513) 671-3363 Email: techelp@exair.com

MODEL 9078 UNIVERSAL AIR KNIFE PLUMBING KIT INSTALLATION & MAINTENANCE

This Model 9078 Universal Air Knife Plumbing Kit is used to interconnect the compressed air inlets on the bottom of a 60" (1524mm) - 84" (2134mm) Air Knife. The components of this kit have been sized appropriately to obtain best performance from the Air Knife (maintain uniform airflow across the entire length).

The Model 9076 Universal Air Knife Plumbing Kit should be used for lengths from 24" (610mm) - 42" (1067mm). The Model 9077 Universal Air Knife Plumbing Kit should be used for lengths from 42" (1067mm) - 54" (1372mm). The Model 9079 Universal Air Knife Plumbing Kit should be used for lengths over 84" (2134mm). Air Knives less than 24" (610mm) can be supplied at one compressed air inlet. See Lit 2111 and 2112 for Stainless Steel Air Knife Plumbing Kits.



Pipe thread sealant should be applied to all threads (small packet included). Avoid the inside diameter of the fitting so it does not enter into the Air Knife.

STEP 1 – In a center inlet, install Model 900736 ½ MNPT x ¼ MNPT Reducer. Install Model 9551 ¼ NPT Close Nipple into the other compressed air inlets on the bottom of the Air Knife.

STEP 2 – Install the Model 900735 ½ NPT female Cross onto Model 900736 ½ x ¼ NPT Reducer and tighten. Be sure the ½ NPT female connections are directed toward the ends of the Air Knife.

STEP 3 – Install Model 900734 ½ x ½ x ¼ NPT female Pipe Tees onto the 9551 ¼ NPT Close Nipples and tighten. Make sure the outlets are oriented (as shown above) along the length of the knife.

STEP 4 – Hand tighten (2) Model 900733 ½ NPT x ½ Hose Barbs into the Model 900734 ½ x ½ x ¼ NPT female Pipe Tees opposite the side where the plant compressed air will be supplied and on both sides of the remaining Model 900734 ½ x ½ x ¼ NPT female Pipe Tees. On the Model 900735 ½ NPT female Cross at the center of the Air Knife, hand tighten (2) Model 900733 ½ NPT x ½ Hose Barbs into the inlets that point towards the end of the knife.

- STEP 5** – Determine the length of hose that is necessary by measuring from outside the yellow collar of the one Barb fitting to outside the yellow collar on the opposite fitting. For a tight hose, cut the hose to this exact length. (Increasing the hose length will result in a loose hose).
- STEP 6** – Remove hand tightened Barb fittings and push the hose onto the Hose Barbs. You may use a glycerin based lubricant such as soap (not included). **DO NOT USE AN OIL BASED LUBRICANT TO INSTALL THE FITTINGS.**
- STEP 7** – Install and tighten the ½ NPT male ends of the hose into the Model 900734 ½ NPT female Tee and Model 900735 ½ female NPT Cross. Install Model 900622 ½ MNPT x ¼ FNPT Reducer in the remaining inlet on Model 900735 ½ female NPT Cross.
- STEP 8** – Model 9011 Pressure Gauge has been provided to monitor the pressure at the Air Knife. You may choose to install it or the Model 2527 Pipe Plug into the remaining ¼ NPT female connection of Model 900622 Reducer. Your Air Knife is now ready for installation. **Please note that you will need to supply compressed air to each ½ NPT inlet at the ends of the air knife.**

If you have any questions or problems, please contact:

YOUR INFO HERE:

Company Name

Telephone

FAX:

Email:

Website: