



E-Vac® Vacuum Generators

Vacuums for lifting, clamping, mounting and placement!

What Is The E-Vac?

EXAIR's compressed air powered E-Vac single stage vacuum generators are the low cost way to create a vacuum for:

- Pick and place
- Clamping
- Lifting
- Chucking
- Alignment
- Surface mounting
- Vacuum forming

E-Vac compressed air powered vacuum pumps provide instantaneous response and are most commonly used for pick and place operations. They are available in a variety of sizes and flows for a wide range of applications.

Why The E-Vac?

The E-Vac vacuum generators have been engineered for high efficiency to minimize air consumption. These single stage, all aluminum units provide consistent, steady vacuum, unlike mechanical vacuum pumps. Dust and small particulates easily pass through the vacuum generator and they have no moving parts, making them maintenance free.

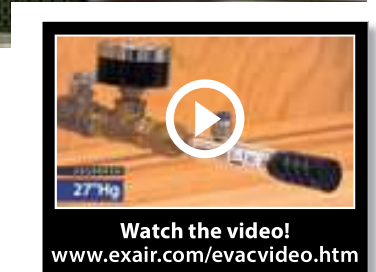
EXAIR's E-Vac Vacuum Generator is available in 2 styles:

In-Line E-Vac Vacuum Generator

These single stage, cylindrical units are compact and easy to mount at the point of use. They can be held in place by threading them directly onto a compressed air line or with the use of a mounting clip. There are 7 models available for use with porous materials, like cardboard, with vacuum levels up to 21" Hg (71 kPa) and vacuum flows up to 18.5 SCFM (524 SLPM). There are 7 models available for use with non-porous materials such as glass, with vacuum levels up to 27" Hg (91 kPa) with vacuum flows up to 15.8 SCFM (447 SLPM).

Adjustable E-Vac Vacuum Generator

This series of vacuum generators permits easy adjustment by simply loosening the locknut and turning the exhaust to increase or decrease the level of vacuum and vacuum flow. This style is also an excellent choice where large particulate may be present and passed through the vacuum system. There are 4 models with adjustable vacuum up to 25" Hg (85 kPa) and vacuum flow up to 81 SCFM (2,294 SLPM).



In-Line E-Vac



Adjustable E-Vac

Vacuum Generators

Applications

- Pick and place parts and equipment
- Bag/package opening
- Label placement
- Vacuum forming
- Mold evacuation
- Vacuum filling
- Leak testing
- Evacuate containers
- Clamping and chucking
- Paper alignment and feed in printing equipment
- Vacuum packaging
- Surface mounting
- Vacuum press for wood veneers and laminates
- Carton forming
- Robotic tooling
- Vacuum liquids for testing

Advantages

- Compact, portable
- Single stage design eliminates fluctuations in vacuum
- Quiet
- Instantaneous vacuum
- Easy to mount at point of use
- Lightweight, rugged
- No moving parts – no maintenance
- 18 models
- Fast response – increases cycle time
- Durable 6061 aluminum construction
- Safe operation - no electricity

E-Vac® Vacuum Generators

How to Build An E-Vac System:

1. Select the E-Vac type.

- Determine if the part to be lifted is porous or non-porous (page 147 and 148).
- Select a style - In-Line Low Vacuum, In-Line High Vacuum, or Adjustable (pages 147, 148 and 150).
The E-Vac type determines max. vacuum available for lifting the part and vacuum cup selection.

Porous	low vacuum generators max. vacuum = 21" Hg (71 kPa)
Non-porous	high vacuum generators max. vacuum = 27" Hg (91 kPa)
Adjustable E-Vac	vacuum generators max. vacuum = 25" Hg (85 kPa)

Need Help Selecting the Correct E-Vac?

Our Application Engineers can assist you in determining the correct model E-Vac and vacuum cups (if required). Call 1-800-903-9247 or visit www.exair.com/appassist.htm

2. Determine the weight of the part.

3. Multiply the weight by the vacuum cup safety factor (see page 152) for the total vacuum cup capacity needed.

4. Determine the number of vacuum cups needed by considering the following:

- How many cups are needed to distribute the weight for stable lifting and placement?
- What is the weight that each vacuum cup can lift based on maximum vacuum available (E-Vac type)?
- Select vacuum cups from chart on page 152 based on max. vacuum available (E-Vac type) and holding weight/cup.

5. To choose an E-Vac model number, consider the entire vacuum system from the E-Vac to the part.

- Number of vacuum cups per E-Vac.
 - Length and size of vacuum tubing.
 - Vacuum cup size and type.
- The volume of air to evacuate from your vacuum system and the vacuum flow of the E-Vac you've selected (pages 147, 148 and 151) will determine the time it takes from E-Vac activation to vacuum cup holding the part. As the vacuum level in the system increases, the volume of evacuating air decreases.
 - A lower volume of air in the vacuum system and/or a higher capacity (SCFM/SLPM) E-Vac will give faster pick-up times.
 - An exact pick-up time cannot be calculated.
 - If the E-Vac vacuum generator doesn't meet your needs, return it for a different model, with no restocking charge (U.S. and Canada only).

Here is an example using the steps outlined above:

A sheet of material measures 3' x 3' (.91m x .91m) and weighs 25 lbs (11.3kg). Each sheet is in a stack and will be placed on a conveyor.

If it is porous like wood and positioned vertically:

- Choose a porous, low vacuum In-Line E-Vac.
The maximum vacuum is 21" Hg (71 kPa).
- The weight is 25 lbs (11.3kg).
- Since the part is picked-up and hung on an overhead conveyor vertically, the safety factor is 4. The vacuum cup capacity needed is $4 \times 25 = 100$ lbs (45.4kg).
- Four vacuum cups will be used for stability when lifting the sheet. Each cup will need at least a 25 lb (11.3kg) capacity. In the table on page 152, at 21" Hg (71 kPa), the Model 900755 Vacuum Cup will hold up to 25.3 lbs (11.5kg).
- There are 4 small round vacuum cups that are positioned close to one another. The vacuum system has a small to medium volume and pick-up and release time is not critical. To reduce the sound level, use the straight through muffler.

Order: (1) Model 800008M In-Line E-Vac
(4) Model 900755 Vacuum Cups
See Page 155 for other accessories.

If it is non-porous like glass and positioned horizontally:

- Choose a non-porous, high vacuum In-Line E-Vac.
The maximum vacuum is 27" Hg (91 kPa).
- The weight is 25 lbs (11.3kg).
- Since the part is picked-up and placed on a belt conveyor horizontally, the safety factor is 2. The vacuum cup capacity needed is $2 \times 25 = 50$ lbs (22.7kg).
- Four vacuum cups will be used for stability when lifting the sheet. Each cup will need at least a 12.5 lb (5.7kg) capacity. In the table on page 152, at 27" Hg (91 kPa), the Model 900754 Vacuum Cup will hold up to 20.8 lbs (9.4kg).
- There are 4 small round vacuum cups that are positioned close to one another. The vacuum system has a small to medium volume and pick-up and release time is not critical. To reduce the sound level, use the straight through muffler.

Order: (1) Model 810006M In-Line E-Vac
(4) Model 900754 Vacuum Cups
See Page 155 for other accessories.

The Model 840008M Adjustable E-Vac can be substituted for picking up the wood or the glass since the vacuum level and vacuum flow is easily adjusted to suit the porous or non-porous application. The Adjustable E-Vac is especially useful for loads that vary.

E-Vac® Vacuum Generators

Low Vacuum Generators For Porous Applications

Low vacuum units up to 21" Hg (71 kPa) with vacuum flows up to 18.5 SCFM (524 SLPM) are typically used for porous materials such as cardboard and delicate materials. The low level vacuum prevents any warping, marring, dimpling or disfiguring of the surface due to excessive vacuum. This style generates more vacuum flow to overcome porosity and leakage. There are 7 In-Line models that vary by flow and vacuum level.

Choose the E-Vac by the SCFM (SLPM) flow that best suits the performance needed for your application (see Performance Table below).

E-Vac Kits give you the ability to experiment with an assortment of vacuum cups. Kits include a muffler, an assortment of (4) pairs of vacuum cups (closely matched to the performance of that E-Vac), (2) straight, (2) elbow and (1) tee vacuum fittings, 10' (3m) of vacuum tubing and a mounting clip.

E-Vac Deluxe Kits include the same items as the standard kit with the addition of an automatic drain filter separator for the compressed air supply and pressure regulator (with coupler).



In-Line E-Vac Vacuum Generators for porous applications.



Create your own vacuum system!

In-Line E-Vac with Straight Through Muffler, push-in connectors, vacuum tubing and a round vacuum cup (shown).

In-Line E-Vac Low Vacuum Generators For Porous Applications	Model 1.5 SCFM 43 SLPM	Model 2.1 SCFM 60 SLPM	Model 3.1 SCFM 88 SLPM	Model 5.4 SCFM 153 SLPM	Model 8.4 SCFM 238 SLPM	Model 12.6 SCFM 357 SLPM	Model 16.8 SCFM 476 SLPM
In-Line E-Vac Only	800001	800002	800003	800005	800008	800013	800017
In-Line E-Vac with Straight Through Muffler	800001M	800002M	800003M	800005M	800008M	800013M	800017M
In-Line E-Vac Kit with Straight Through Muffler	801001M	801002M	801003M	801005M	801008M	801013M	801017M
In-Line E-Vac Deluxe Kit with Straight Through Muffler	802001M	802002M	802003M	802005M	802008M	802013M	802017M

Note: Replace 'M' with 'H' for Standard Muffler

In-Line E-Vac Low Vacuum Generator Performance (Porous)																							
In-Line E-Vac Model	Air Consumption SCFM @ 80 PSIG SLPM @ 5.5 BAR		Sound Level in dBA			Vacuum Flow (SCFM/SLPM) vs. Vacuum Level ("Hg/ kPa)																	
			No Muffler	Standard Muffler	Straight Through Muffler	0		3/10		6/20		9/31		12/41		15/51		18/61		21/71		Max Vac	
800001	1.5	42.5	80	72	60	1.52	43.0	1.41	39.9	1.25	35.4	1.10	31.1	0.95	26.9	0.85	24.1	0.56	15.9	0.00	0.0	21	71
800002	2.1	59.5	80	72	63	2.22	62.9	2.05	58.0	1.91	54.1	1.77	50.1	1.45	41.1	0.95	26.9	0.56	15.9	0.00	0.0	21	71
800003	3.1	87.8	89	74	70	3.75	106.2	3.52	99.7	3.15	89.2	2.75	77.9	2.15	60.9	1.20	34.0	0.56	15.9	0.00	0.0	21	71
800005	5.4	152.9	92	83	66	5.59	158.3	5.23	148.1	4.51	127.7	3.75	106.2	3.34	94.6	2.51	71.1	1.25	35.4	0.00	0.0	21	71
800008	8.4	237.9	97	88	74	7.70	218.0	6.95	196.8	6.30	178.4	5.30	150.1	4.23	119.8	3.15	89.2	1.31	37.1	0.00	0.0	21	71
800013	12.6	356.8	99	91	78	15.50	438.9	14.50	410.6	13.15	372.4	11.35	321.4	8.70	246.3	4.03	114.1	0.00	0.0	0.00	0.0	18	61
800017	16.8	475.7	101	91	81	18.50	523.8	17.20	487.0	14.70	416.2	12.40	351.1	9.80	277.5	5.00	141.6	0.00	0.0	0.00	0.0	18	61

Vacuum Generators

E-Vac® Vacuum Generators

High Vacuum Generators For Non-Porous Applications

High vacuum units up to 27" Hg (91 kPa) with vacuum flows up to 15.8 SCFM (447 SLPM) are typically used for non-porous materials such as glass, steel sheet, and plastic. There are 7 In-Line models that vary by flow and vacuum level.

Choose the E-Vac by the SCFM (SLPM) flow that best suits the performance needed for your application (see *Performance Table below*).

E-Vac Kits give you the ability to experiment with an assortment of vacuum cups. Kits include a muffler, an assortment of (4) pairs of vacuum cups (closely matched to the performance of that E-Vac), (2) straight, (2) elbow and (1) tee vacuum fittings, 10' (3m) of vacuum tubing and a mounting clip.

E-Vac Deluxe Kits include the same items as the standard kit with the addition of an automatic drain filter separator for the compressed air supply and pressure regulator (with coupler).

EXAIR E-Vacs are available in other materials upon request. Contact an application engineer for an alternate material quote.



In-Line E-Vac Vacuum Generators for non-porous applications.



The In-Line E-Vac with Standard Muffler (shown above) is also available with your choice of accessories that can be found on page 155.

In-Line E-Vac High-Vacuum Generators For Non-Porous Applications	Model 2.3 SCFM 65 SLPM	Model 3.3 SCFM 93 SLPM	Model 6.2 SCFM 176 SLPM	Model 8.4 SCFM 238 SLPM	Model 13.2 SCFM 374 SLPM	Model 23.1 SCFM 654 SLPM	Model 30.8 SCFM 872 SLPM
In-Line E-Vac Only	810002	810003	810006	810008	810013	810023	810031
In-Line E-Vac with Straight Through Muffler	810002M	810003M	810006M	810008M	810013M	810023M	810031M
In-Line E-Vac Kit with Straight Through Muffler	811002M	811003M	811006M	811008M	811013M	811023M	811031M
In-Line E-Vac Deluxe Kit with Straight Through Muffler	812002M	812003M	812006M	812008M	812013M	812023M	812031M

Note: Replace 'M' with 'H' for Standard Muffler

In-Line E-Vac High Vacuum Generator Performance (Non-Porous)

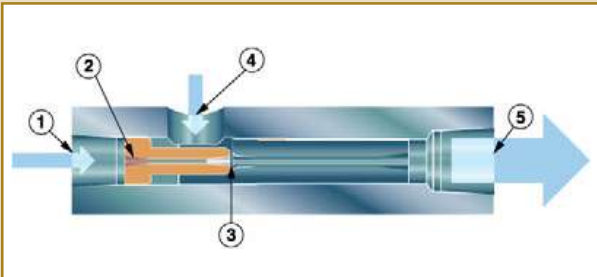
In-Line E-Vac Model	Air Consumption SCFM @ 80 PSIG SLPM @ 5.5 BAR		Sound Level in dBA			Vacuum Flow (SCFM/SLPM) vs. Vacuum Level ("Hg/ kPa)																					
			No Muffler	Standard Muffler	Straight Through Muffler	0		3/10		6/20		9/31		12/41		15/51		18/61		21/71		24/81		27/91		Max Vac	
						0	3/10	6/20	9/31	12/41	15/51	18/61	21/71	24/81	27/91												
810002	2.3	65.1	86	81	70	1.22	34.5	1.16	33.0	1.00	28.3	0.90	25.5	0.87	24.6	0.74	21.0	0.56	16.0	0.46	13.0	0.20	5.7	0.00	0.0	27	91
810003	3.3	93.4	87	82	73	1.73	49.0	1.59	45.0	1.48	41.9	1.24	35.1	1.09	30.9	1.02	28.9	0.78	22.1	0.67	19.0	0.49	13.9	0.00	0.0	27	91
810006	6.2	175.6	91	82	77	2.75	78.0	2.65	75.0	2.26	64.0	2.05	58.0	1.87	53.0	1.59	45.0	1.13	32.0	0.92	26.0	0.77	21.7	0.00	0.0	27	91
810008	8.4	237.9	97	90	78	4.40	124.6	4.10	116.1	3.75	106.2	3.15	89.2	2.75	77.9	2.39	67.7	1.75	49.6	1.27	36.0	0.99	28.0	0.00	0.0	27	91
810013	13.2	373.8	100	92	83	6.85	194.0	6.50	184.1	5.81	164.5	4.89	138.5	4.12	116.7	3.51	99.4	2.61	73.9	1.92	54.4	1.31	37.1	0.00	0.0	27	91
810023	23.1	654.1	102	92	84	11.95	338.4	11.80	334.1	10.45	295.9	9.02	255.4	8.10	229.4	6.52	184.6	4.54	128.6	3.65	103.4	2.67	75.6	0.00	0.0	27	91
810031	30.8	872.1	105	92	87	15.75	446.0	15.25	431.8	12.67	358.8	11.12	314.9	10.25	290.2	7.97	225.7	5.98	169.3	5.04	142.7	3.41	96.6	0.00	0.0	27	91

E-Vac® Vacuum Generators

In-Line E-Vacs

EXAIR manufactures two versions of the In-Line E-Vac – Low Vacuum and High Vacuum. The application will dictate which type of vacuum is most suitable. The dimensions and performance for each model are shown.

How The In-Line E-Vac Works



Compressed air flows through the inlet (1), then through a single directed nozzle (2). As the airstream exhausts, it expands and increases in velocity prior to passing through the venturi (3). A vacuum inlet tangential to the primary airflow (4) is located at the suction point between the orifice and the venturi. The airflow that is drawn through the vacuum inlet mixes with the primary airstream, then exhausts on the opposite end (5).

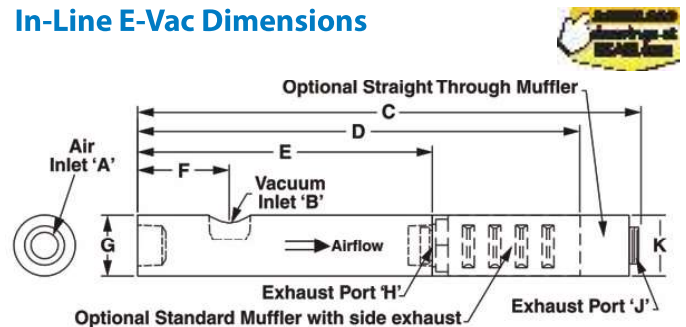
Need Help Selecting the Correct E-Vac?

Not sure how much vacuum is required for your application? Our Application Engineers can assist you in determining the correct model E-Vac and vacuum cups (if required). Call 1-800-903-9247 or visit www.exair.com/appassist.htm



The In-Line E-Vac (porous version) is used to lift the plywood lid of a crate in a receiving department.

In-Line E-Vac Dimensions



Vacuum Generators

In-Line Vacuum Generator Dimensions

Model	Air Inlet A	Vacuum Inlet B		C	D	E	F	G	H	J	K
800001, 800002, 800003, 810002, 810003, 810006	1/8 NPT	1/8 NPT	in	N/A	N/A	3.00	0.88	0.75	1/4 NPT	N/A	N/A
			mm	N/A	N/A	76	22	19		N/A	N/A
800001H, 800002H, 800003H, 810002H, 810003H, 810006H	1/8 NPT	1/8 NPT	in	N/A	5.00	3.00	0.88	0.75	1/4 NPT	N/A	0.81
			mm	N/A	127	76	22	19		N/A	21
800001M, 800002M, 800003M, 810002M, 810003M, 810006M	1/8 NPT	1/8 NPT	in	5.25	N/A	3.00	0.88	0.75	1/4 NPT	1/4 NPS	0.75
			mm	133	N/A	76	22	19		1/4 NPS	19
800005, 800008, 810008, 810013	1/4 NPT	3/8 NPT	in	N/A	N/A	4.50	1.50	1.00	3/8 NPT	N/A	N/A
			mm	N/A	N/A	114	38	25		N/A	N/A
800005H, 800008H, 810008H, 810013H	1/4 NPT	3/8 NPT	in	N/A	7.50	4.50	1.50	1.00	3/8 NPT	N/A	1.25
			mm	N/A	191	114	38	25		N/A	32
800005M, 800008M, 810008M, 810013M	1/4 NPT	3/8 NPT	in	7.75	N/A	4.50	1.50	1.00	3/8 NPT	3/8 NPS	1.00
			mm	197	N/A	114	38	25		3/8 NPS	25
800013, 800017, 810023, 810031	1/2 NPT	1/2 NPT	in	N/A	N/A	6.00	1.88	1.25	1/2 NPT	N/A	N/A
			mm	N/A	N/A	152	48	32		N/A	N/A
800013H, 800017H, 810023H, 810031H	1/2 NPT	1/2 NPT	in	N/A	9.00	6.00	1.88	1.25	1/2 NPT	N/A	1.25
			mm	N/A	229	152	48	32		N/A	32
800013M, 800017M, 810023M, 810031M	1/2 NPT	1/2 NPT	in	10.25	N/A	6.00	1.88	1.25	1/2 NPT	1/2 NPS	1.25
			mm	260	N/A	152	48	32		1/2 NPS	32

E-Vac® Vacuum Generators

Adjustable E-Vac® Vacuum Generators

A simple turn can increase or decrease vacuum and flow!

What Is The Adjustable E-Vac?

EXAIR's Adjustable E-Vac is a series of low cost, compressed air powered vacuum generators where the vacuum and flow rates can be easily adjusted to suit the application requirements. These vacuum pumps are ideal for a wide variety of pick and place, box opening, clamping, lifting, chucking, and surface mounting applications. They are maintenance free and have no moving parts to wear out.

Why The Adjustable E-Vac?

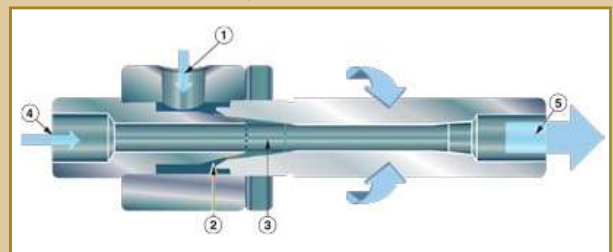
Engineered for high efficiency, the Adjustable E-Vac minimizes compressed air use by allowing it to be tuned to the application. With a simple turn of the unit, the vacuum and flow levels can be changed to overcome porosity and increase or decrease the lifting power. The straight-through, single stage aluminum construction requires no vacuum filter and simply passes contaminants from dirty environments through the unit so there is no clogging or loss of suction.

Adjustable E-Vac is available in 4 sizes that have adjustable vacuum rates up to 25" Hg (85 kPa) and flow rates up to 81 SCFM (2,294 SLPM). Kit configurations that include vacuum cups, fittings, tubing and a mounting clip are available.



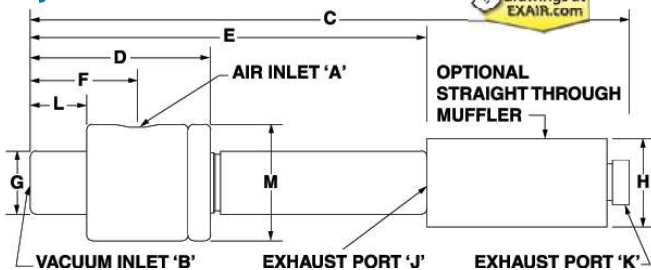
The vacuum level of the Adjustable E-Vac can quickly be changed from lifting lightweight pavers to heavy cement blocks.

How The Adjustable E-Vac Works



Compressed air flows through the inlet (1), then through an adjustable annular nozzle (2). As the airstream enters the vacuum flow, it expands and increases in velocity (3). A vacuum flow is induced, creating suction (4). The airflow that is drawn through the vacuum inlet mixes with the primary airstream, then exhausts on the opposite end (5).

Adjustable E-Vac Dimensions



Adjustable Vacuum Generator Dimensions

Model	Air Inlet A	Vacuum Inlet B		C	D	E	F	G	H	L	M	Exhaust Port J	Exhaust Port K
840008	1/8 NPT	1/4 NPT	in	N/A	2.00	4.38	1.19	0.72	N/A	0.63	1.31	1/4 NPT	N/A
			mm	N/A	51	111	30	18	N/A	16	33		
840008M	1/8 NPT	1/4 NPT	in	6.63	2.00	4.38	1.19	0.72	0.75	0.63	1.31	1/4 NPT	1/4 NPS
			mm	168	51	111	30	18	19	16	33		
840015	3/8 NPT	1/2 NPT	in	N/A	2.38	5.44	1.31	0.97	N/A	0.63	1.56	1/2 NPT	N/A
			mm	N/A	60	138	33	25	N/A	16	40		
840015M	3/8 NPT	1/2 NPT	in	9.69	2.38	5.44	1.31	0.97	1.25	0.63	1.56	1/2 NPT	1/2 NPS
			mm	246	60	138	33	25	32	16	40		
840030	3/8 NPT	1/2 NPT	in	N/A	2.50	6.19	1.44	1.22	N/A	0.75	1.94	3/4 NPT	N/A
			mm	N/A	64	157	37	31	N/A	19	49		
840030M	3/8 NPT	1/2 NPT	in	13.63	2.50	6.19	1.44	1.22	2.00	0.75	1.94	3/4 NPT	3/4 NPS
			mm	346	64	157	37	31	51	19	49		
840060	1/2 NPT	3/4 NPT	in	N/A	2.75	6.50	1.56	1.47	N/A	0.75	2.19	1 NPT	N/A
			mm	N/A	70	165	40	37	N/A	19	56		
840060M	1/2 NPT	3/4 NPT	in	13.94	2.75	6.50	1.56	1.47	2.00	0.75	2.19	1 NPT	1 NPS
			mm	354	70	165	40	37	51	19	56		

E-Vac® Vacuum Generators

Adjustable E-Vac Vacuum Generators

Choose the Adjustable E-Vac by the SCFM (SLPM) flow that best suits the performance needed for your application (see *Performance Table below*).

Adjustable E-Vac Kits give you the ability to experiment with an assortment of vacuum cups. E-Vac Kits include a muffler, an assortment of (4) pairs of vacuum cups (closely matched to the performance of that E-Vac), (2) straight, (2) elbow and (1) tee vacuum fittings, 10' (3m) of vacuum tubing and a mounting clip.

Adjustable E-Vac Deluxe Kits include the same items as the standard kit with the addition of an automatic drain filter separator for the compressed air supply and pressure regulator (with coupler).



Adjustable E-Vac Vacuum Generators have vacuum levels up to 25" Hg (85 kPa) that can be used with porous and non-porous materials.

Adjustable E-Vac Performance

The amount of vacuum created varies with the porosity of the load being picked up. Units come from the factory set to 15" Hg (51 kPa). A maximum of 25" Hg (85 kPa) can be achieved on a solid, non-porous surface, but will require increasing the air consumption and vacuum flow.

Adjustable E-Vac	Model 8.2 SCFM 232 SLPM	Model 15.4 SCFM 436 SLPM	Model 26.4 SCFM 748 SLPM	Model 62.7 SCFM 1,775 SLPM
Adjustable E-Vac Only	840008	840015	840030	840060
Adjustable E-Vac with Straight Through Muffler	840008M	840015M	840030M	840060M
Adjustable E-Vac Kit with Straight Through Muffler	841008M	841015M	841030M	841060M
Adjustable E-Vac Deluxe Kit with Straight Through Muffler	842008M	842015M	842030M	842060M

Adjustable Vacuum Generator Performance (15" Hg/ 51 kPa)																
Model	Air Consumption SCFM @ 80 PSIG SLPM @ 5.5 BAR		Sound Level in dBA		Vacuum Flow (SCFM/SLPM) vs. Vacuum Level ("Hg/kPa) (Set to 15" Hg/51 kPa)											
			No Muffler	Straight Through Muffler	0		3/10		6/20		9/31		12/41		15/51	
840008	8.2	232.2	89	77	5.80	164.2	4.68	132.6	3.71	105.0	2.59	73.4	1.53	43.2	0.0	0.0
840015	15.4	436.1	95	77	18.70	529.5	16.00	453.1	12.02	340.3	7.75	219.4	4.05	114.7	0.0	0.0
840030	26.4	747.5	99	74	36.70	1039.2	32.00	906.1	25.63	725.8	17.68	500.5	7.69	217.8	0.0	0.0
840060	62.7	1775.4	107	85	81.00	2293.6	67.00	1897.2	56.33	1595.1	29.00	821.2	11.13	315.3	0.0	0.0

Vacuum
Generators

Adjustable Vacuum Generator Performance (25" Hg/ 85 kPa)																								
Model	Air Consumption SCFM @ 80 PSIG SLPM @ 5.5 BAR		Sound Level in dBA		Vacuum Flow (SCFM/SLPM) vs. Vacuum Level ("Hg/kPa) (Set to 25" Hg/85 kPa)																			
			No Muffler	Straight Through Muffler	0		3/10		6/20		9/31		12/41		15/51		18/61		21/71		24/81		25/85	
840008	12.2	345.5	104	89	5.80	164.2	5.58	157.9	5.18	146.5	4.80	135.9	4.33	122.5	3.83	108.3	2.94	83.2	1.93	54.5	0.37	10.5	0.0	0.0
840015	25.9	733.4	107	89	18.00	509.7	16.53	467.9	15.70	444.6	14.18	401.4	12.13	343.3	8.98	254.1	5.65	160.0	2.69	76.1	0.55	15.6	0.0	0.0
840030	44.8	1268.6	107	82	32.00	906.1	29.00	821.2	26.83	759.8	24.12	682.9	20.92	592.3	14.63	414.1	9.90	280.3	6.13	173.7	1.19	33.8	0.0	0.0
840060	105.2	2978.8	114	92	70.00	1982.1	66.33	1878.3	62.33	1765.0	55.50	1571.5	45.00	1274.2	30.67	868.4	18.37	520.1	8.38	237.4	2.10	59.5	0.0	0.0



Compressed air use is minimized by selecting the exact vacuum level required to lift the heavy, porous cardboard cartons.



A series of bellows cups lift one plastic part at a time off of a pallet.

E-Vac® Vacuum Generators

Choosing A Suitable Vacuum Cup

Round Cups are best suited to smooth, flat surfaces. They will grip and release quickly. These cups hold their shape with extended use and grip well to vertical surfaces. Round cups with cleats are better at lifting heavy loads. Cups without cleats can be used for light lifting.



Oval Cups provide the most vacuum due to the larger surface area. They provide more vacuum power than round cups and are suited to lifting heavy loads. They are designed to handle flat rigid sheet materials like wood, glass, cardboard boxes and composites.



Bellows Cups are best suited to textured, uneven surfaces. The folds, called convolutions, provide a collapsible area that allows the cup to quickly compress when it touches the uneven surface. The attach and release time is greater due to the significant volume of the cup.



Vacuum Cup Safety Factor

A safety factor of 2 is recommended when the vacuum cup is positioned horizontally.

A safety factor of 4 is recommended when the vacuum cup is positioned vertically.

Some companies or local codes may require a specific safety factor.

Using The Tables Below

Determine the weight of the part to be lifted. Multiply it by the safety factor of (2) when the cup will be positioned horizontally, or by (4) when positioned vertically.

Using the table below, look through the numbers highlighted in orange for the weight capacity per vacuum cup. Use enough vacuum cups to distribute the weight evenly for stable lifting and placement. The model number(s) for the vacuum cup(s) that can handle that weight are directly above (in that column) and are highlighted in blue. Details for each vacuum cup can be found on page 153.

To the left of the vacuum cup weight you've selected (in that same row) is the vacuum level highlighted in green that is needed. Performance data for the In-Line E-Vacs designed for specific vacuum levels can be found on pages 147-148. For loads that vary, Adjustable E-Vacs are the best choice (performance shown on page 150).

Weight in lbs that a vacuum cup can hold at a given vacuum

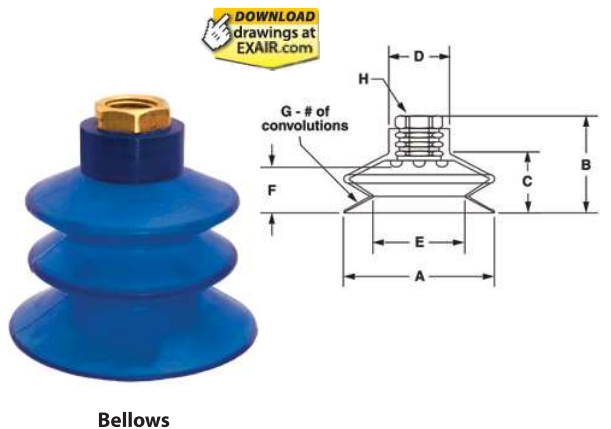
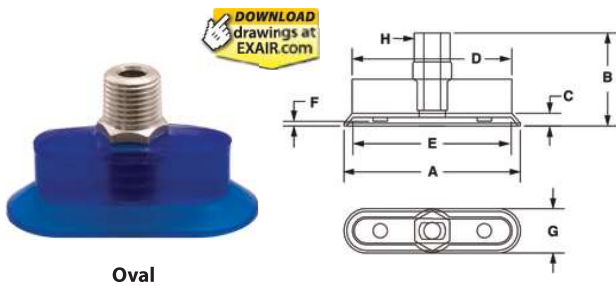
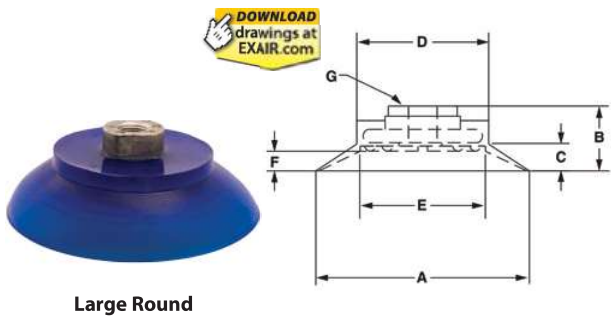
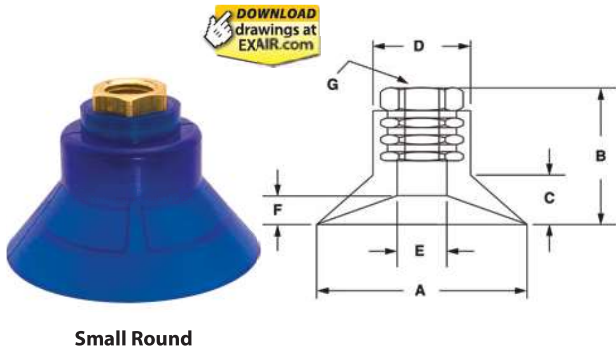
Vacuum Cup Models	900762 900766	900752 900767	900763	900764	900753 900768	900754 900769	900765	900755 900770	900756 900758	900757 900771	900759	900760	900761
Area of cup in ²	0.4	0.8	1.0	1.5	1.8	3.1	4.4	4.9	8.3	14.2	19.6	28.3	
Vacuum "Hg	5	0.5	1.0	1.2	1.8	2.2	3.9	5.3	6.0	10.2	17.4	24.1	34.7
	10	1.0	1.9	2.5	3.7	4.3	7.7	10.7	12.1	20.4	34.8	48.2	69.4
	15	1.5	2.9	3.7	5.5	6.5	11.6	16.0	18.1	30.6	52.3	72.3	104.2
	20	2.1	3.9	4.9	7.4	8.7	15.4	21.4	24.1	40.7	69.7	96.4	138.9
	21	2.2	4.1	5.2	7.8	9.1	16.2	22.4	25.3	42.8	73.2	101.3	145.8
	27	2.8	5.2	6.6	10.0	11.7	20.8	28.9	32.6	55.0	94.1	130.2	187.5

Weight in kilograms that a vacuum cup can hold at a given vacuum

Vacuum Cup Models	900762 900766	900752 900767	900763	900764	900753 900768	900754 900769	900765	900755 900770	900756 900758	900757 900771	900759	900760	900761
Area of cup cm ²	3	5	6	10	11	20	28	32	54	92	127	182	
Vacuum kPa	17	0.2	0.4	0.6	0.8	1.0	1.7	2.4	2.7	4.6	7.9	10.9	15.7
	34	0.5	0.9	1.1	1.7	2.0	3.5	4.8	5.5	9.2	15.8	21.9	31.5
	51	0.7	1.3	1.7	2.5	3.0	5.2	7.3	8.2	13.9	23.7	32.8	47.2
	68	0.9	1.7	2.2	3.4	3.9	7.0	9.7	10.9	18.5	31.6	43.7	63.0
	71	1.0	1.8	2.3	3.5	4.1	7.3	10.2	11.5	19.4	33.2	45.9	66.1
	91	1.3	2.4	3.0	4.5	5.3	9.4	13.1	14.8	25.0	42.7	59.1	85.0

Vacuum Cup Dimensions

EXAIR vacuum cups are vinyl. They are ideal for general purpose applications and provide excellent resistance to wear. The Durometer rating (used to indicate the flexibility and stiffness of the cup) is A50. Temperature range is 32° to 125°F (0° to 52°C).



Vacuum Cups - Small Round									
Model		A	B	C	D	E	F	G	Cleats
900752	in	1.00	1.12	0.25	0.81	0.45	0.17	1/4 FNPT	No
	mm	25	28	6	21	11	4		
900753	in	1.50	0.90	0.28	1.25	1.06	0.12	1/4 FNPT	Yes
	mm	38	23	7	32	27	3		
900754	in	2.00	1.00	0.25	1.56	1.31	0.18	1/4 FNPT	Yes
	mm	51	25	6	40	33	5		
900755	in	2.50	1.80	0.72	1.35	0.95	0.62	1/4 FNPT	Yes
	mm	64	46	18	34	24	16		
900756	in	3.50	1.10	0.56	0.98	0.51	0.37	1/4 FNPT	No
	mm	89	28	14	25	13	9		

Vacuum Cups - Large Round									
Model		A	B	C	D	E	F	G	Cleats
900757	in	3.25	1.15	0.50	2.23	1.87	0.37	3/8 FNPT	Yes
	mm	83	29	13	57	47	9		
900758	in	3.25	1.15	0.50	2.23	1.87	0.37	1/4 FNPT	Yes
	mm	83	29	13	57	47	9		
900759	in	4.25	1.18	0.50	2.75	2.43	0.37	3/8 FNPT	Yes
	mm	108	30	13	70	62	9		
900760	in	5.00	1.75	1.12	3.25	2.65	0.62	3/8 FNPT	Yes
	mm	127	44	28	83	67	16		
900761	in	6.00	1.31	0.50	4.75	4.90	0.12	1/2 FNPT	Yes
	mm	152	33	13	121	124	3		

Vacuum Cups - Oval										
Model		A	B	C	D	E	F	G	H	Cleats
900762	in	1.00	1.06	0.12	0.81	0.76	0.09	0.50	1/8 MNPT	No
	mm	25	27	3	21	19	2	13		
900763	in	2.00	1.06	0.12	1.81	1.76	0.09	0.50	1/8 MNPT	No
	mm	51	27	3	46	45	2	13		
900764	in	1.73	1.03	0.21	1.35	1.21	0.09	0.87	1/8 MNPT	Yes
	mm	44	26	5	34	31	2	22		
900765	in	2.96	0.93	0.19	0.92	2.34	0.20	1.47	1/8 FNPT	No
	mm	75	24	5	23	59	5	37		

Vacuum Cups - Bellows										
Model		A	B	C	D	E	F	G	H	Cleats
900766	in	0.73	1.43	0.75	0.67	0.45	0.79	3	1/4 FNPT	No
	mm	19	36	19	17	11	20			
900767	in	1.00	1.48	0.85	0.56	0.44	0.85	4	1/8 FNPT	No
	mm	25	38	22	14	11	22			
900768	in	1.50	1.12	0.71	1.06	1.00	0.31	1	1/4 FNPT	Yes
	mm	38	28	18	27	25	8			
900769	in	2.00	1.54	0.89	1.00	1.17	0.68	1	1/4 FNPT	Yes
	mm	51	39	23	25	30	17			
900770	in	2.50	2.40	1.75	1.00	1.12	1.80	2	1/4 FNPT	No
	mm	64	61	44	25	28	46			
900771	in	3.25	3.00	2.20	1.00	1.53	2.00	2	3/8 FNPT	No
	mm	83	76	56	25	39	51			

MNPT = NPT Male
FNPT = NPT Female

Vacuum Generators

E-Vac® Vacuum Generators

Increased Energy And Vacuum Efficiency

Energy and vacuum efficiency are not limited to the Adjustable E-Vac vacuum generators. All E-Vac styles and models can offer significant improvements when looking to reduce the amount of compressed air used for a specific vacuum application. Once the appropriate amount of vacuum and flow for the application are determined, it is important to select the appropriate model that will deliver the best performance while using the least amount of compressed air that it takes to do the job.

Many companies have a centralized vacuum system where the vacuum is generated at a location that is far away from the point of use. The long runs of piping through the plant produce line loss and it is often difficult to obtain that perfect balance of vacuum and flow required for an application. The compact, In-line E-Vac vacuum generators eliminate this problem since they can be mounted at the point where the vacuum source is needed. EXAIR's Application Engineers can help you to select the E-Vac vacuum generator and vacuum cups that provide the right amount of lifting capability while minimizing the amount of compressed air usage.

Other Applications For E-Vac

E-Vacs are used in many other “non-lifting” applications. They are commonly used for vessel evacuation, clamping, chucking, and other work holding applications. Many types of automated equipment use vacuum to evacuate, grip, hold, align and insert parts. These vacuums can be used for surface mounting, vacuum packaging, bag opening, label placement, carton forming and container evacuation.

Another popular application is using the E-Vac for liquid sampling. This process can easily be accomplished using an E-Vac vacuum generator attached to a liquid holding tube. When the tube is dipped into a vat, tank or container, the compressed air is turned on so it draws a specific volume of liquid up into the tube. When the compressed air is turned off, the liquid flows from the tube and can be dispensed into a container or machine to be analyzed.

Accessories Needed To Build Your Vacuum System

EXAIR offers a variety of mufflers, tubing, check valves, and fittings shown on page 155 that make it easy to build a vacuum system best suited to your vacuum application.

When using E-Vac vacuum generators, it is important to use a source of clean, dry compressed air that will keep them operating at their peak performance. Automatic drain filter separators to keep the compressed air free of contaminants and moisture can be found on page 219. Oil removal filters that remove oil particulates that are common to many compressed air systems are also shown. Pressure regulators, shutoff valves, compressed air hose, and solenoid valves (to electrically turn the compressed air on and off) can be found on pages 220 through 224.

• Mufflers

Optional silencing mufflers are available that permit maximum exhaust of the E-Vac unit so cycle speed is not reduced. The Standard Muffler (for use with In-Line E-Vacs only) has a closed end and is suitable for applications that are free of dust and debris. The Straight Through Muffler is recommended where particulates are present since it will not accumulate debris that can erode performance. Straight Through Mufflers offer the best sound level reduction (up to 26 dBA). Sound levels are shown on pages 147, 148 and 151.

• Fittings and Tubing

The vacuum port of the E-Vac has an NPT thread (a vacuum cup can be threaded directly into it). For vacuum cups that are remotely located, push-in connector fittings (most have global threads for use with NPT and BSP), or hose barb fittings can be installed on the E-Vac and the vacuum cup. Polyurethane vacuum tubing is available (10', 20', 30', 40' and 50' lengths) to connect them. For best performance, the length of the tubing should be minimized to achieve the best attach and release times.

• Check Valve

A vacuum check valve is available to hold the vacuum in case of compressed air loss. E-Vac vacuum generators that are used without a check valve will release the load if there is a significant drop in compressed air pressure or the supply of compressed air is lost.

E-Vac® Vacuum Generators



Mufflers

Standard		
Model	Description	Thread
900800	Standard Muffler	1/4 MNPT
900801	Standard Muffler	3/8 MNPT
900802	Standard Muffler	1/2 MNPT

Straight Through		
Model	Description	Thread
890001	Straight Through	1/4 MNPS
890002	Straight Through	3/8 MNPS
890003	Straight Through	1/2 MNPS
890004	Straight Through	3/4 MNPS
890005	Straight Through	1 MNPS

Check Valves

Model	Description	Thread
900804	Check Valve	1/4 FNPT
900805	Check Valve	3/8 FNPT
900806	Check Valve	1/2 FNPT

E-Vac Accessories

Push-In Connector	
Model	Description
900773	1/4 Tube x 1/8 FNPT
900774	1/4 Tube x 1/8 Male Global Thread
900775	1/4 Tube x 1/4 Male Global Thread
900776	1/4 Tube x 3/8 Male Global Thread
900777	3/8 Tube x 1/8 Male Global Thread
900778	3/8 Tube x 1/4 Male Global Thread
900779	3/8 Tube x 3/8 Male Global Thread
900780	3/8 Tube x 1/2 Male Global Thread

Push-In Swivel Elbow Connector

Model	Description
900781	1/4 Tube x 1/8 Male Global Thread
900782	1/4 Tube x 1/4 Male Global Thread
900783	1/4 Tube x 3/8 Male Global Thread
900784	3/8 Tube x 1/8 Male Global Thread
900785	3/8 Tube x 1/4 Male Global Thread
900786	3/8 Tube x 3/8 Male Global Thread
900787	3/8 Tube x 1/2 Male Global Thread

Push-In Swivel Branch Tee Connector

Model	Description
900788	1/4 Tube x 1/8 Male Global Thread
900789	1/4 Tube x 1/4 Male Global Thread
900790	3/8 Tube x 1/4 Male Global Thread
900791	3/8 Tube x 3/8 Male Global Thread

MNPT = NPT Male
FNPT = NPT Female



E-Vac Accessories - continued

Push-In Bulkhead Connector

Model	Description
900792	Female Union - 1/4 Tube x 1/4 Tube
900793	Female Union - 3/8 Tube x 3/8 Tube
900809	Female Union - 1/4 Tube x 1/4 NPT
900810	Female Union - 3/8 Tube x 1/4 NPT

Vacuum Tubing

Tubing lengths are 10', 20', 30', 40', and 50'. Select the tubing model number (diameter) and indicate the length with a dash. Example: A Model 900795-20 is 1/4" tubing x 20' long.

Model	Description
900795-	1/4" O.D. Polyurethane Tubing
900796-	3/8" O.D. Polyurethane Tubing

Mounting Clip

Model	Description
900798	Mounting Clip with Strap

Hose Barbs

Model	Description
900969	1/4 MNPT x 1/4 Hose Barb
900970	1/4 MNPT x 3/8 Hose Barb
900971	1/4 MNPT x 1/2 Hose Barb
900972	1/2 MNPT x 1/4 Hose Barb
900973	1/2 MNPT x 3/8 Hose Barb
900974	1/2 MNPT x 1/2 Hose Barb
900975	1/2 MNPT x 3/4 Hose Barb
900976	3/4 MNPT x 3/8 Hose Barb
900977	3/4 MNPT x 1/2 Hose Barb
900978	3/4 MNPT x 3/4 Hose Barb
900979	3/4 MNPT x 1 Hose Barb
900980	1 MNPT x 3/4 Hose Barb
900981	1 MNPT x 1 Hose Barb

Hose

Hose lengths are 10', 20', 30', 40', and 50'. Select the hose model number (diameter) and indicate the length with a dash. Example: A Model 901845-20 is 1/4" hose x 20' long.

Model	Description
901845-	1/4" I.D. Hose
900689-	3/8" I.D. Hose
900690-	1/2" I.D. Hose
900063-	3/4" I.D. Hose
900064-	1" I.D. Hose

Vacuum Gauge

Model	Description	Thread
900811	Vacuum Gauge (-30" Hg/-1 BAR/-100 kPa-0)	1/8 MNPT

MNPT = NPT Male
FNPT = NPT Female

Vacuum Generators